

FIGURE 1A

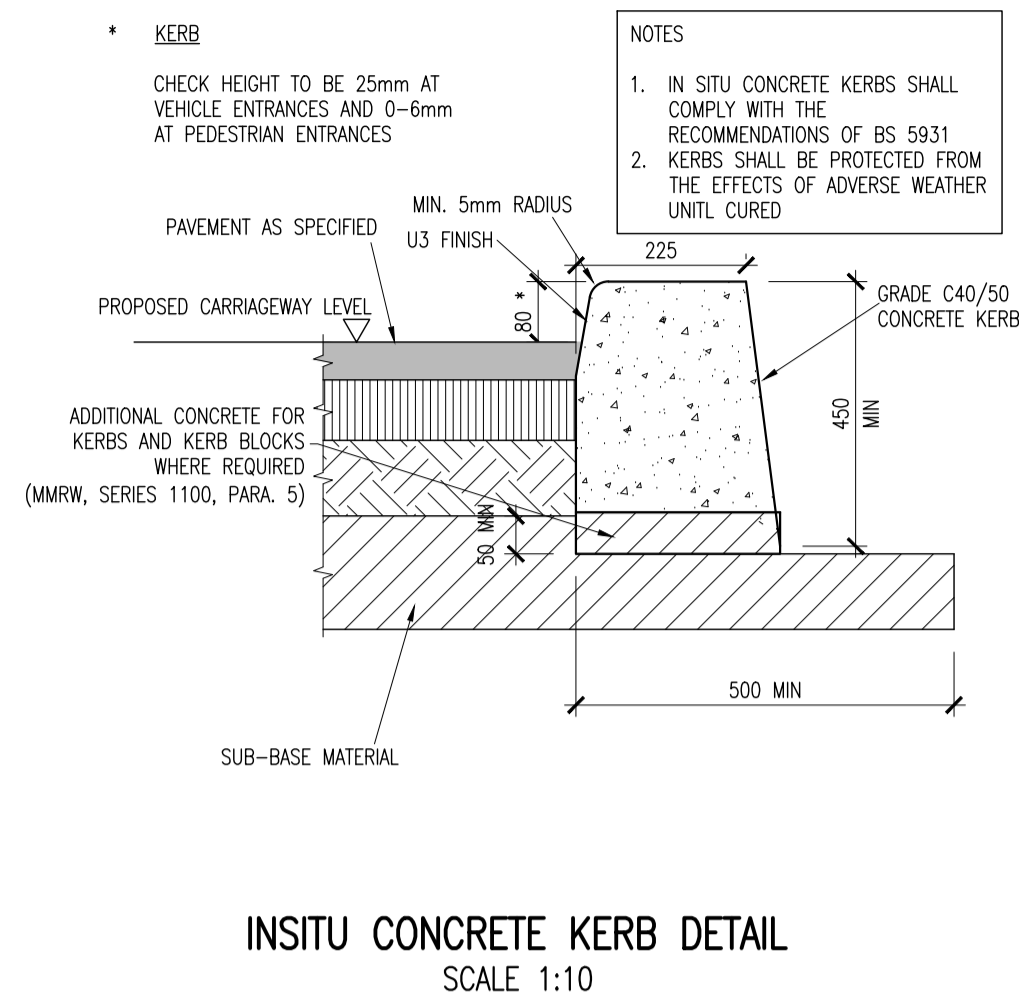


FIGURE 1B

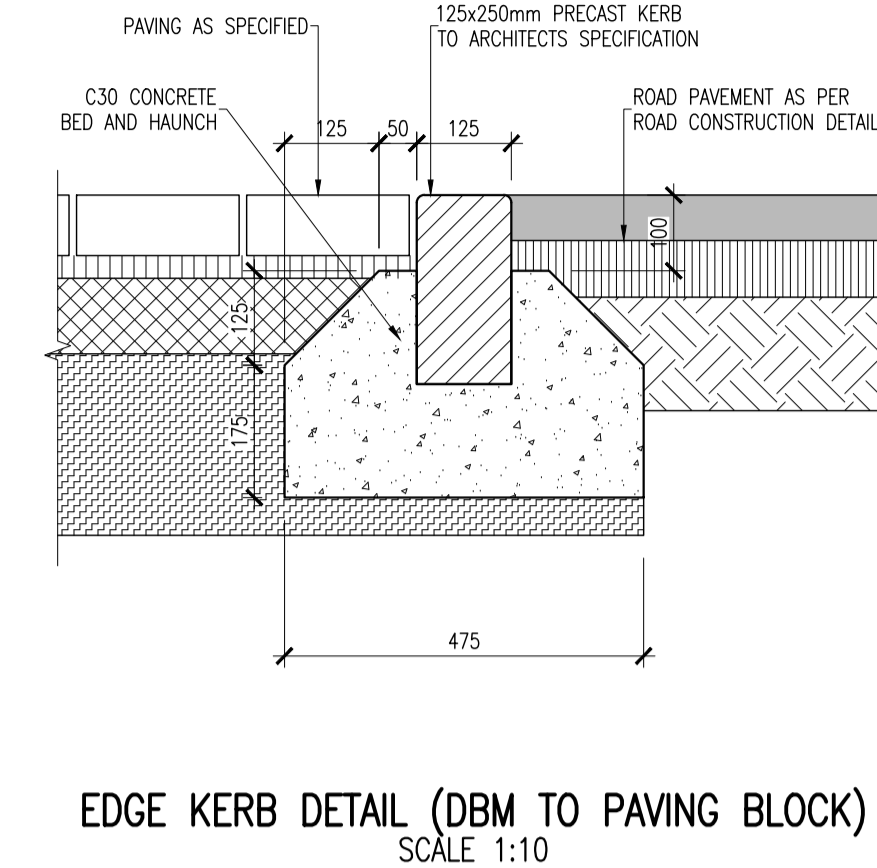


FIGURE 1C

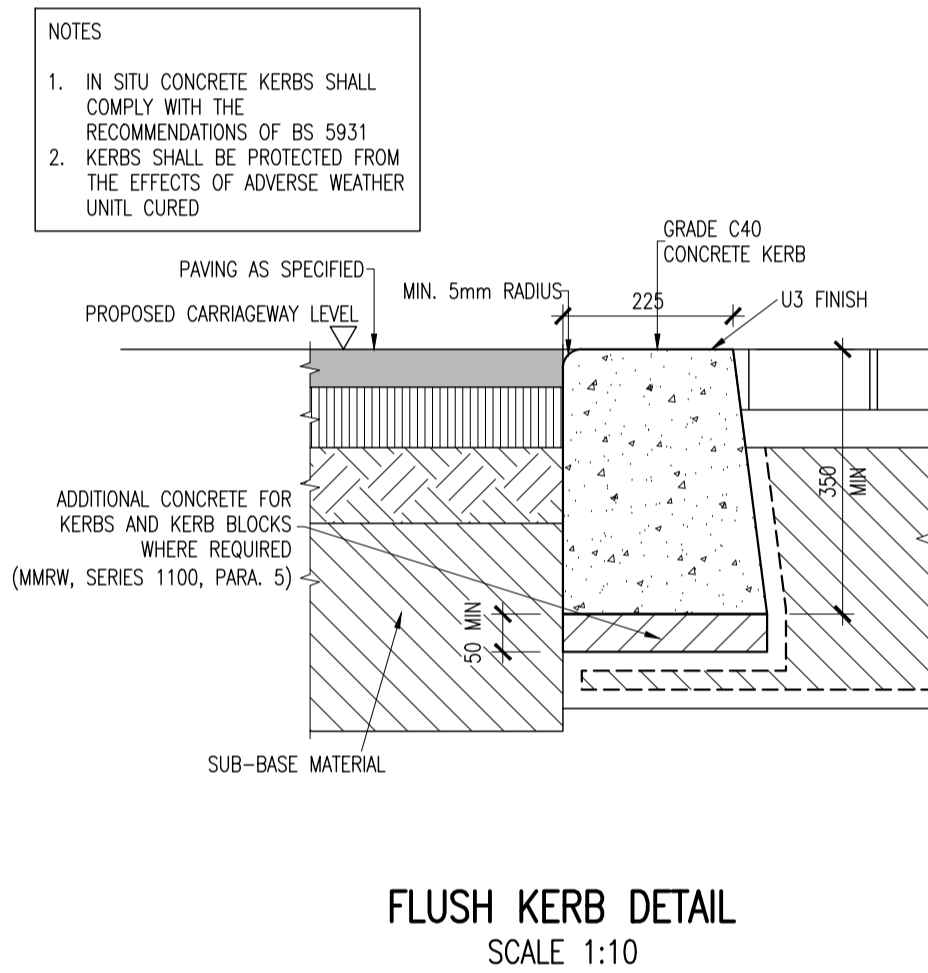


FIGURE 1D

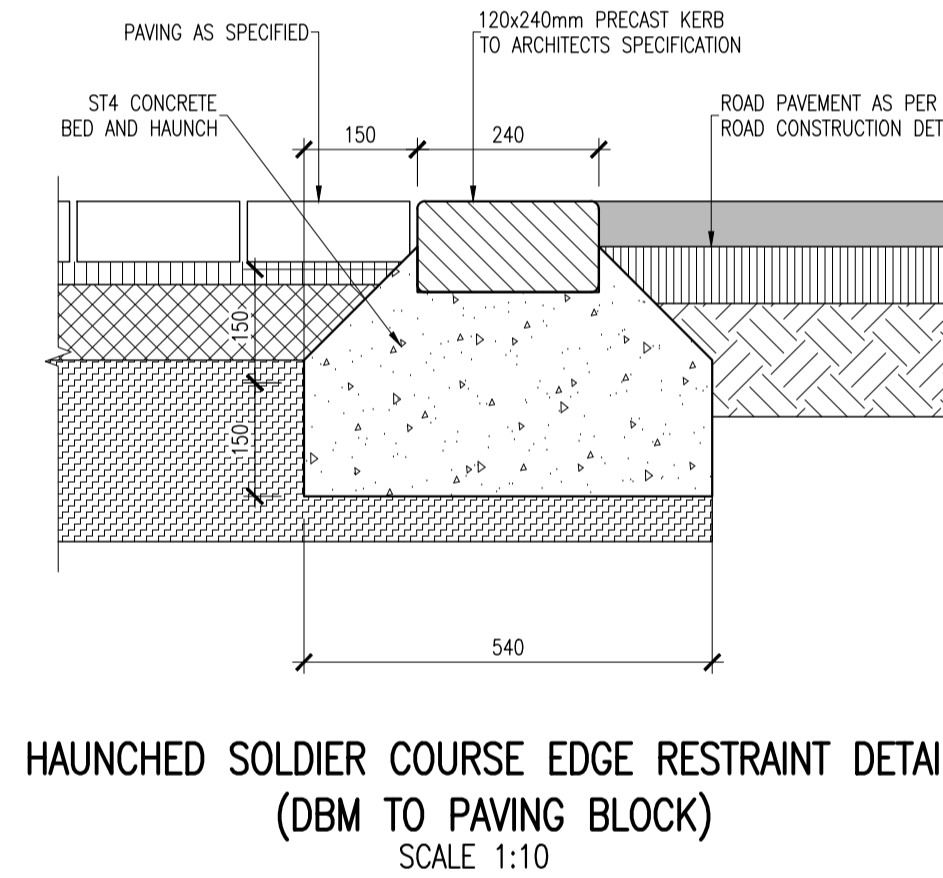


FIGURE 1E

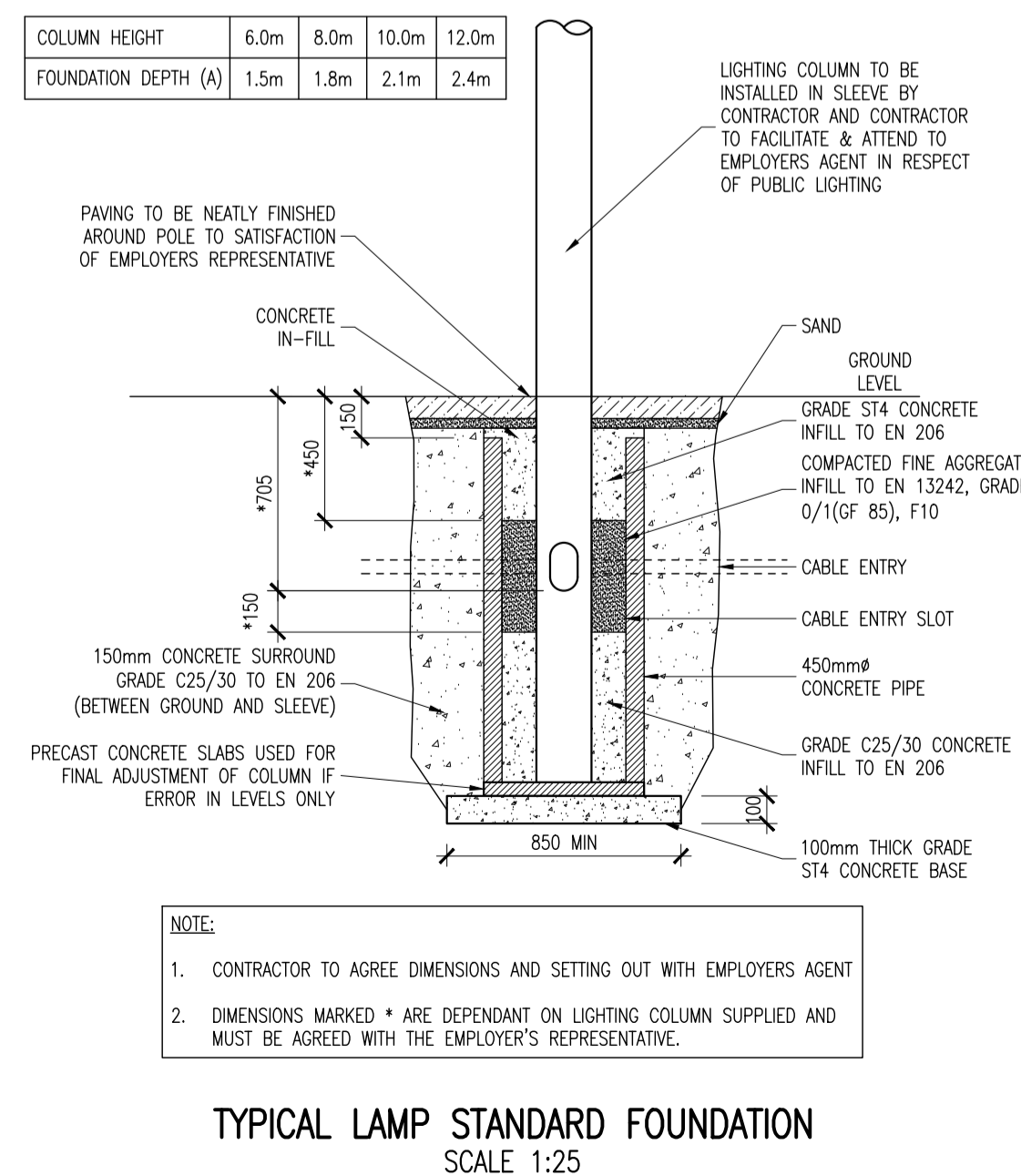


FIGURE 1F

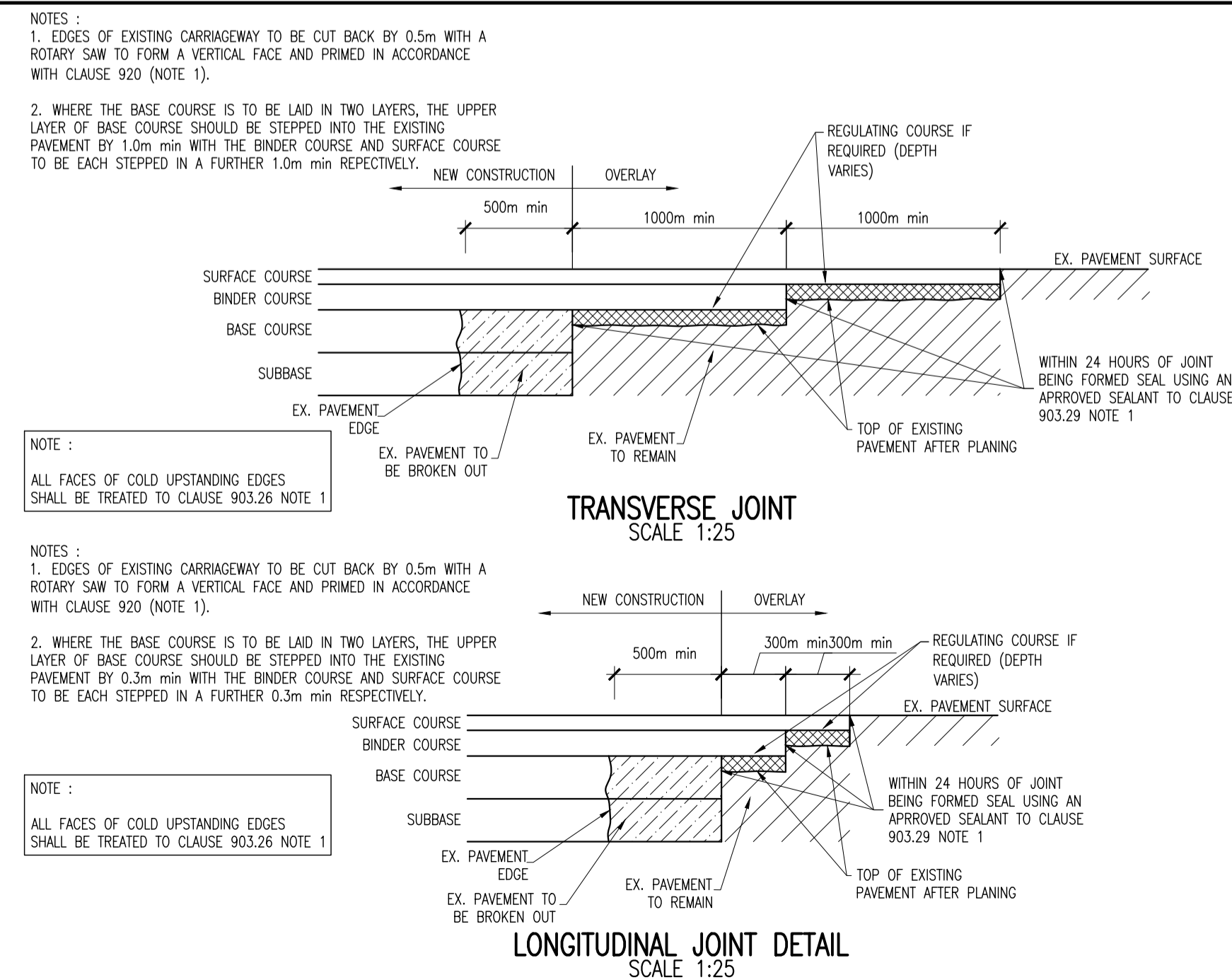
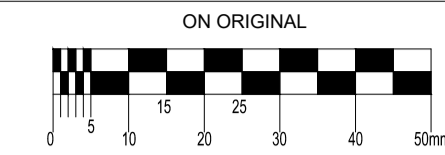


FIGURE 1H

© COPYRIGHT OF THIS DRAWING IS RESERVED BY DBFL CONSULTING ENGINEERS. NO PART SHALL BE REPRODUCED OR TRANSMITTED WITHOUT THEIR WRITTEN PERMISSION.



- NOTES:
- ALL WORKS TO BE CONSTRUCTED IN ACCORDANCE WITH THE NRA SPECIFICATION FOR ROAD WORKS UNLESS OVERRIDDEN BY LOCAL OVERSEEING AUTHORITY'S STANDARDS
 - SUB-BASE MATERIAL SHALL COMPLY WITH CLAUSE 808 GRANULAR MATERIAL TYPE B OF NRA'S SPECIFICATION FOR ROAD WORKS (SRM) & SHALL SATISFY THE REQUIREMENTS OF TABLE 6/4 & 6/2.
 - SUB FORMATION & CAPPING MATERIAL SHALL COMPLY WITH CLAUSE 613 OF THE NRA'S SPECIFICATION FOR ROAD WORKS & SHALL SATISFY THE REQUIREMENTS OF TABLE 6/1 & 6/2.
 - STONE BLINDING WITH 2-6.3mm AGGREGATE SHALL MEET THE FOLLOWING GRADINGS, IN ACCORDANCE WITH IS EN 13242
- | BS SIEVE SIZE (mm) | % BY MASS PASSING |
|--------------------|-------------------|
| 14 | 100 |
| 10 | 98-100 |
| 6.3 | 80-99 |
| 2.0 | 0-20 |
| 1.0 | 0-5 |
- ANY ROADS PROPOSED TO BE USED FOR CONSTRUCTION TRAFFIC ARE TO HAVE INCREASED DEPTH OF SUB-BASE FOR THE DURATION OF CONSTRUCTION IN ACCORDANCE WITH DBFL SPECIFICATIONS.
 - ALL WORKS SHALL BE COMPLETED IN ACCORDANCE WITH THE REQUIREMENTS OF THE LOCAL AUTHORITY.
 - ALL GEOTRIDS TO BE LAID IN ACCORDANCE WITH MANUFACTURERS SPECIFICATIONS.
 - ALL AGGREGATES PROPOSED FOR USE ON THIS SCHEME SHALL MEET FULLY THE REQUIREMENTS OF THE NRA SPECIFICATION FOR ROAD WORKS AND IN ADDITION THE REQUIREMENTS STATED IN STANDARD RECOMMENDATION S.R. 21:2014 GUIDANCE ON THE USE OF I.S. EN 13242:2002 -A1:2007-AGGREGATES FOR UNBOUND AND HYDRAULICALLY BOUND MATERIALS FOR USE IN CIVIL ENGINEERING WORK AND ROAD CONSTRUCTION.
 - ALL REFERENCES TO SERIES 900 OF NRA SPECIFICATION REFER TO SERIES 900 DATED DECEMBER 2014.

rev	date	description	JUB	AOS
P01	08-01-21	STAGE 3 SHD PLANNING	JUB	AOS
A		Approved		
B		Approved with comments		
C		Do not use		

client approval

submittal S2 - INFORMATION SHD STAGE 3 PLANNING

DBFL Consulting Engineers
Civil, Structural & Transportation Engineering
www.dbfl.ie

SUBJLN OFFICE: Ormond House, Upper Ormond Quay, Dublin 7, D07 W704
PHONE: +353 1 400 4000

CORK OFFICE: Phoenix House, Monahan Road, Cork, T12 H1XY
PHONE: +353 (0) 21 2054938

WATERFORD OFFICE: Sun 18 The Atrium, Martiana Gate, Canada Street, Waterford, X91 W028
PHONE: +353 51 309 500

project ref. THE GROVE SHD - STUDENT ACCOMMODATION SCHEME

drawing title ROAD CONSTRUCTION DETAILS

client COLBEAM LIMITED

designed by	author	scale	sheet size
DCG	JUB	AS NOTED	A1

drawing no. 200012-DBFL-RD-SP-DR-C-5001 P01