

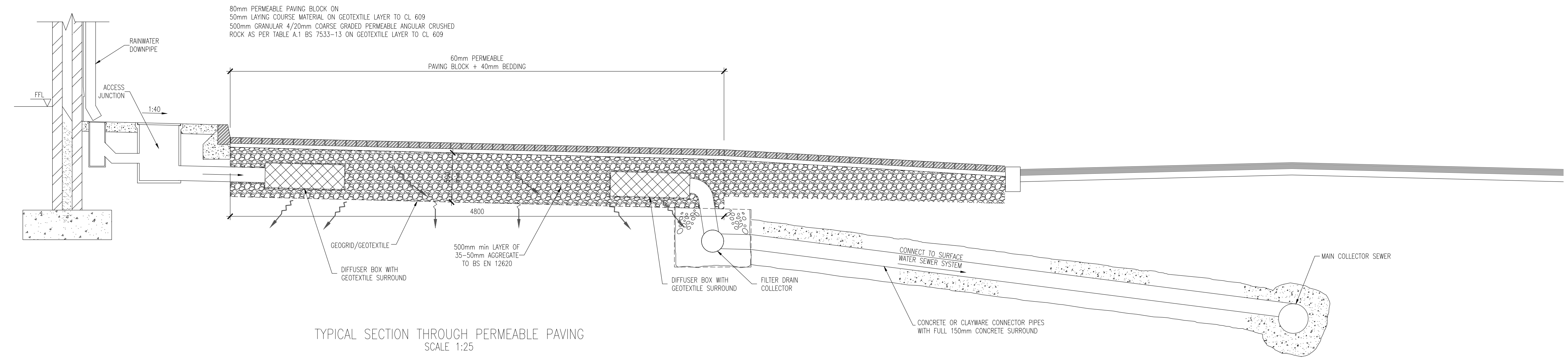
ON ORIGINAL

NOTES:

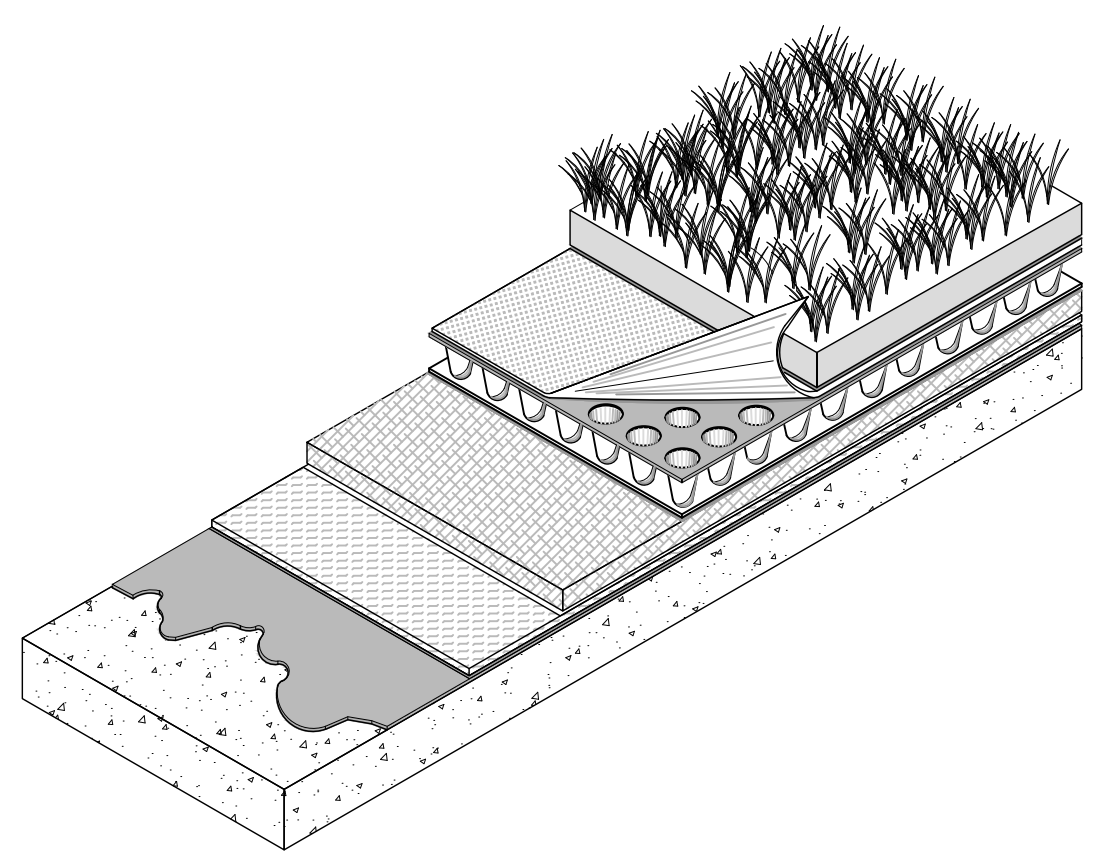
- WHERE ROCKS OR OTHER HARD TRENCH BOTTOM IS ENCOUNTERED, THE FIGURE DENOTED BY * IS TO BE DOUBLED.
- TYPE 1 GRANULAR MATERIAL : BROKEN STONE OR GRAVEL TO PASS 10mm SIEVE AND BE RETAINED ON 5mm SIEVE.
- TYPE 2 GRANULAR MATERIAL : BROKEN STONE OR GRAVEL TO PASS 10mm - 25mm SIEVE, ACCORDING TO PIPE SIZE, (SEE TABLE) AND BE RETAINED ON 5mm SIEVE.
- CLAUSE 601 S.R.W. BACKFILL : UNIFORM READILY COMPACTED MATERIAL FREE FROM TREE ROOTS, VEGETABLE MATTER, BUILDING DEBRIS, AND FROZEN SOIL AND EXCLUDING CLAY LUMPS RETAINED ON A 75mm SIEVE AND STONES RETAINED ON A 37.5mm SIEVE.
- RIGID PIPES SHALL MEAN CAST OR SPUN IRON, CONCRETE OR CLAY.
- GULLY GRATINGS AND FRAMES SHALL COMPLY WITH THE REQUIREMENTS OF I.S./EN/124 1994. GULLIES SHALL BE CLASS D400.
- GULLY WALLS SHALL BE CONSTRUCTED IN CLASS 30N/mm² PRECAST OR IN-SITU CONCRETE OR ALTERNATIVELY IN SOLID CONCRETE BLOCKS DESIGNATED S10, STRENGTH 10N/mm²
- ALL PIPES TO BE BEDDED IN ACCORDANCE WITH MANUFACTURERS RECOMMENDATIONS
- SURFACE WATER SEWERS TO BE CLASS H CONCRETE TO IS EN1916 AND IS 6 2004.
- FOUL SEWERS TO BE uPVC PIPES TO COMPLY WITH THE "PROVISIONAL SPECIFICATIONS FOR SOIL PIPES, DRAINS, SEWERS AND FITTINGS MADE OF UNPLASTICISED P.V.C." ISSUED BY THE DEPARTMENT OF THE ENVIRONMENT AND THE GRATER DUBLIN REGIONAL CODE OF PRACTICE FOR DRAINAGE WORKS V6.0.

PERMEABLE PAVING DRIVEWAY CONSTRUCTION

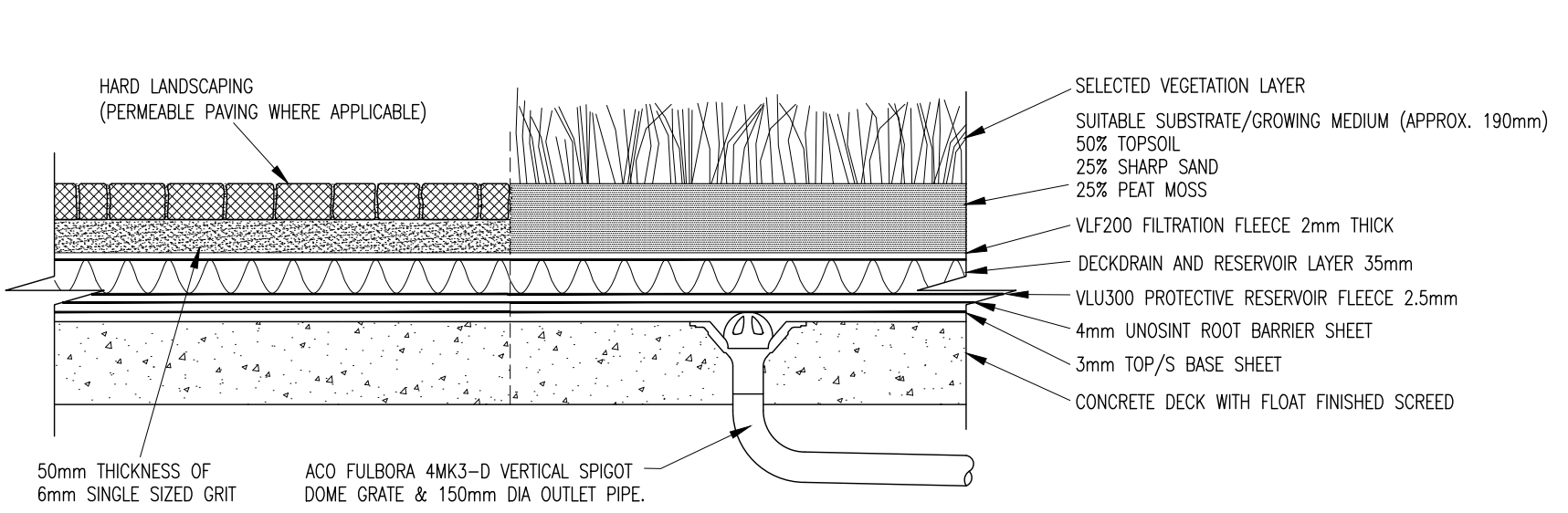
80mm PERMEABLE PAVING BLOCK ON
50mm LAYING COURSE MATERIAL ON GEOTEXTILE LAYER TO CL 609
500mm GRANULAR 4/20mm COARSE GRADED PERMEABLE ANGULAR CRUSHED ROCK AS PER TABLE A.1 BS 7533-13 ON GEOTEXTILE LAYER TO CL 609



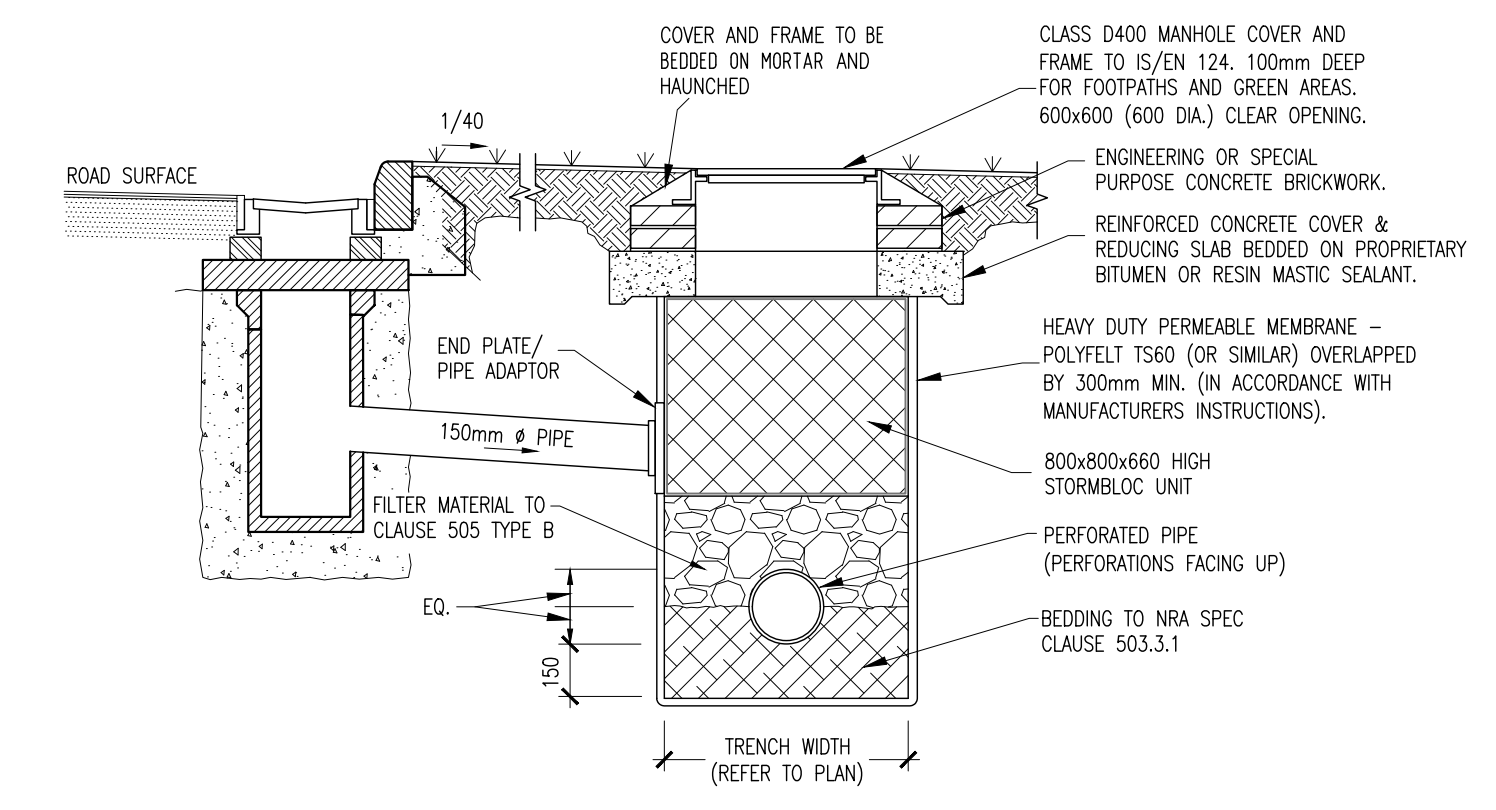
TYPICAL SECTION THROUGH PERMEABLE PAVING
SCALE 1:25



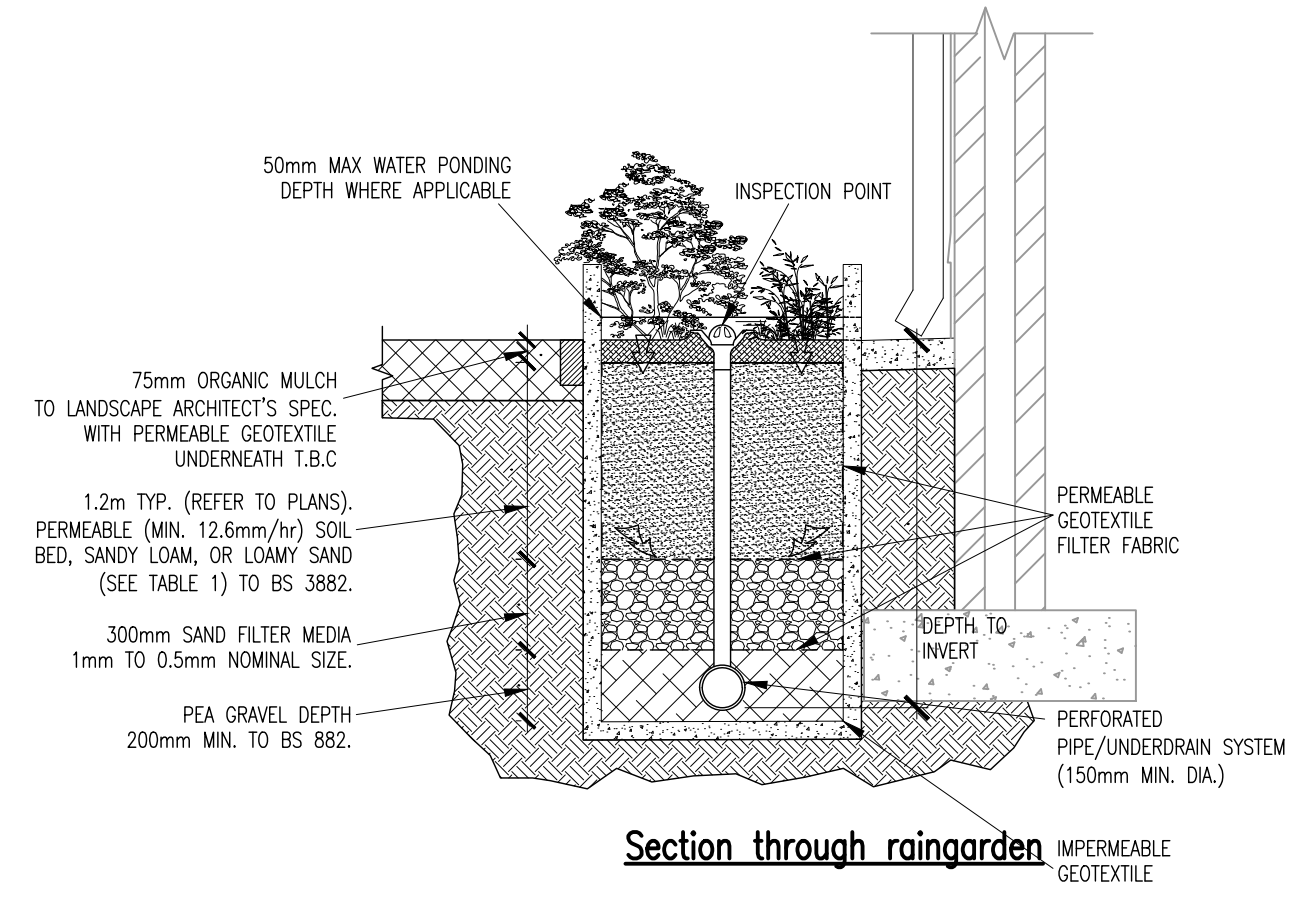
GREEN ROOF SCHEMATIC
SCALE NTS



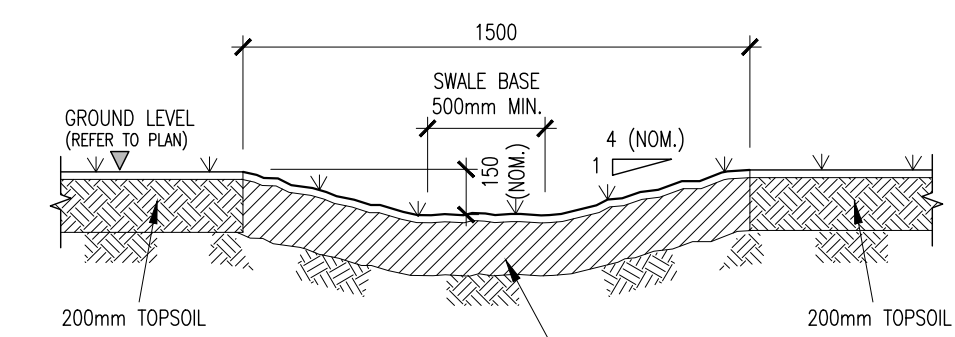
PODIUM DECK DETAIL
SCALE NTS



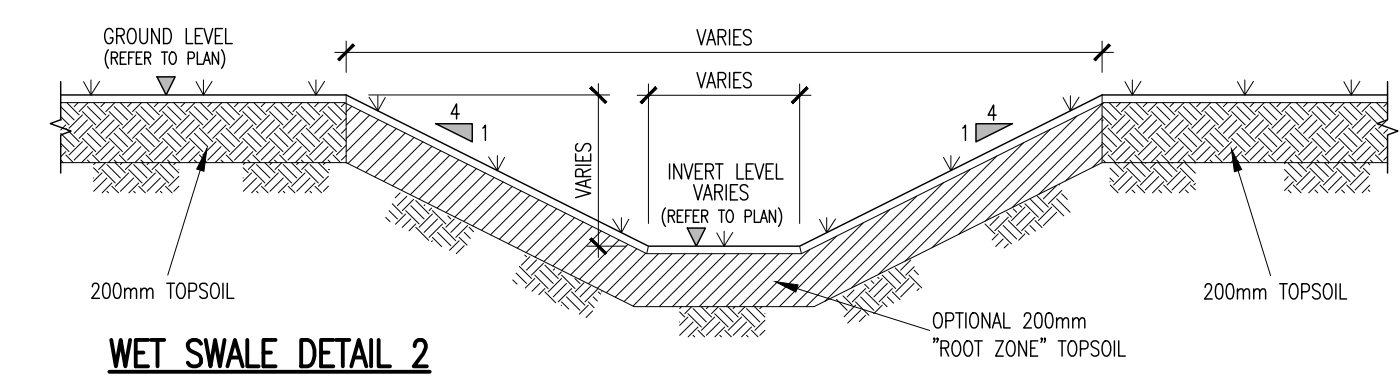
GULLY CONNECTION TO FILTER DRAIN
SCALE: NTS



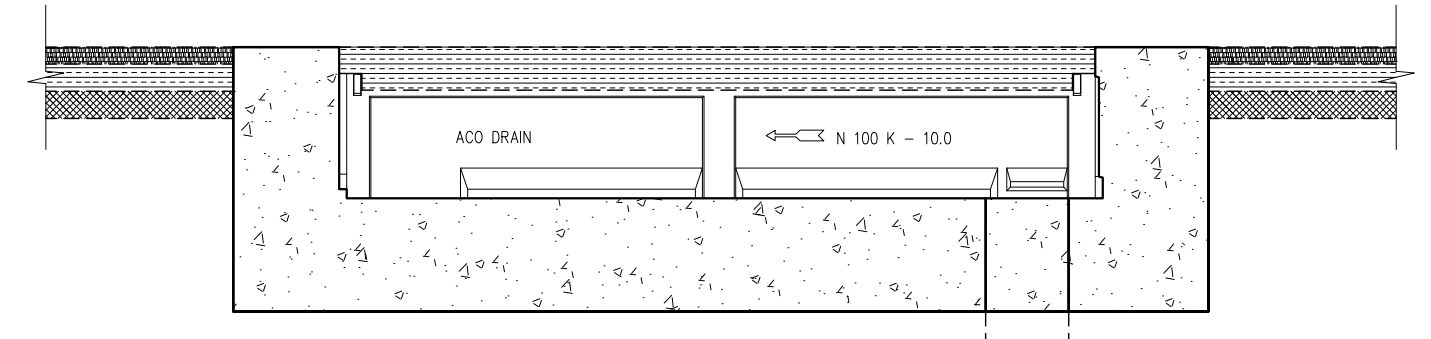
Section through raingarden



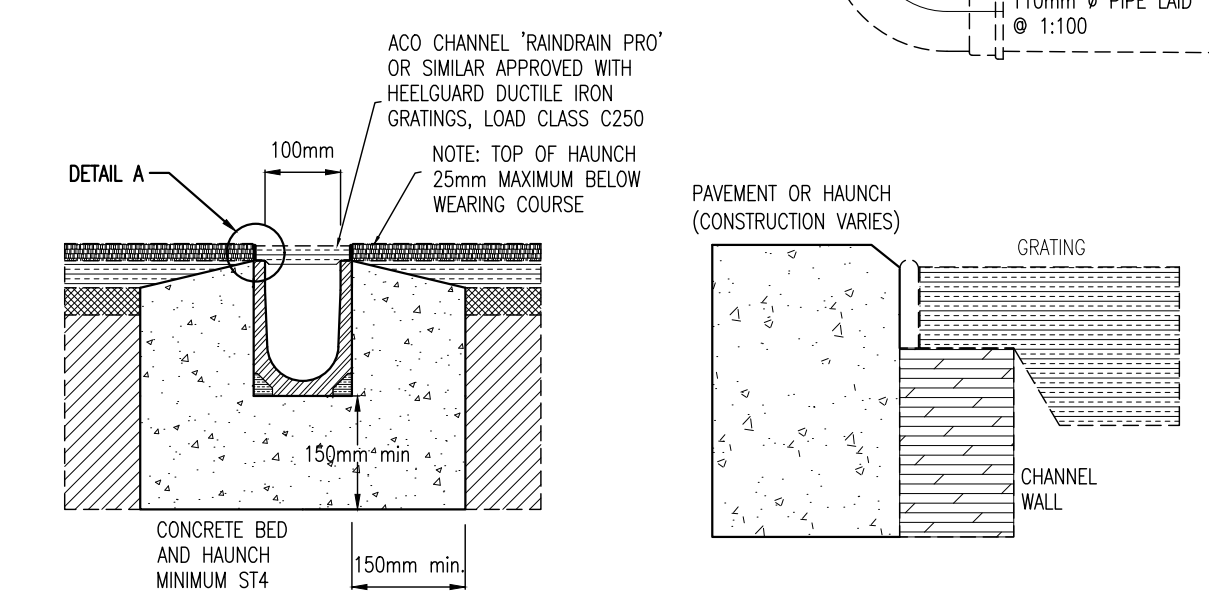
WET SWALE DETAIL 1
SCALE: NTS



WET SWALE DETAIL 2
SCALE: NTS



SECTION 1-1



SECTION 2-2

DETAIL A

ACO CHANNELS
(SCALE 1:10)

P01	08-01-21	STAGE 3 SHD PLANNING	JJB	ACS
rev	date	description	by	chkd.
		A - Approved		
		B - Approved with comments		
		C - Do not use		

client approval

suitability S2 - INFORMATION issue purpose SHD STAGE 3 PLANNING

DBFL Consulting Engineers
Civil, Structural & Transportation Engineering
www.dbfl.ie

THE GROVE SHD - STUDENT ACCOMMODATION SCHEME

drawing title TYPICAL DRAINAGE DETAILS SHEET 3

designed by	author	scale	sheet size
DCG	JJB	AS NOTED	A1
drawing no.		revision	
200012-DBFL-CS-SP-DR-C-5003		P01	