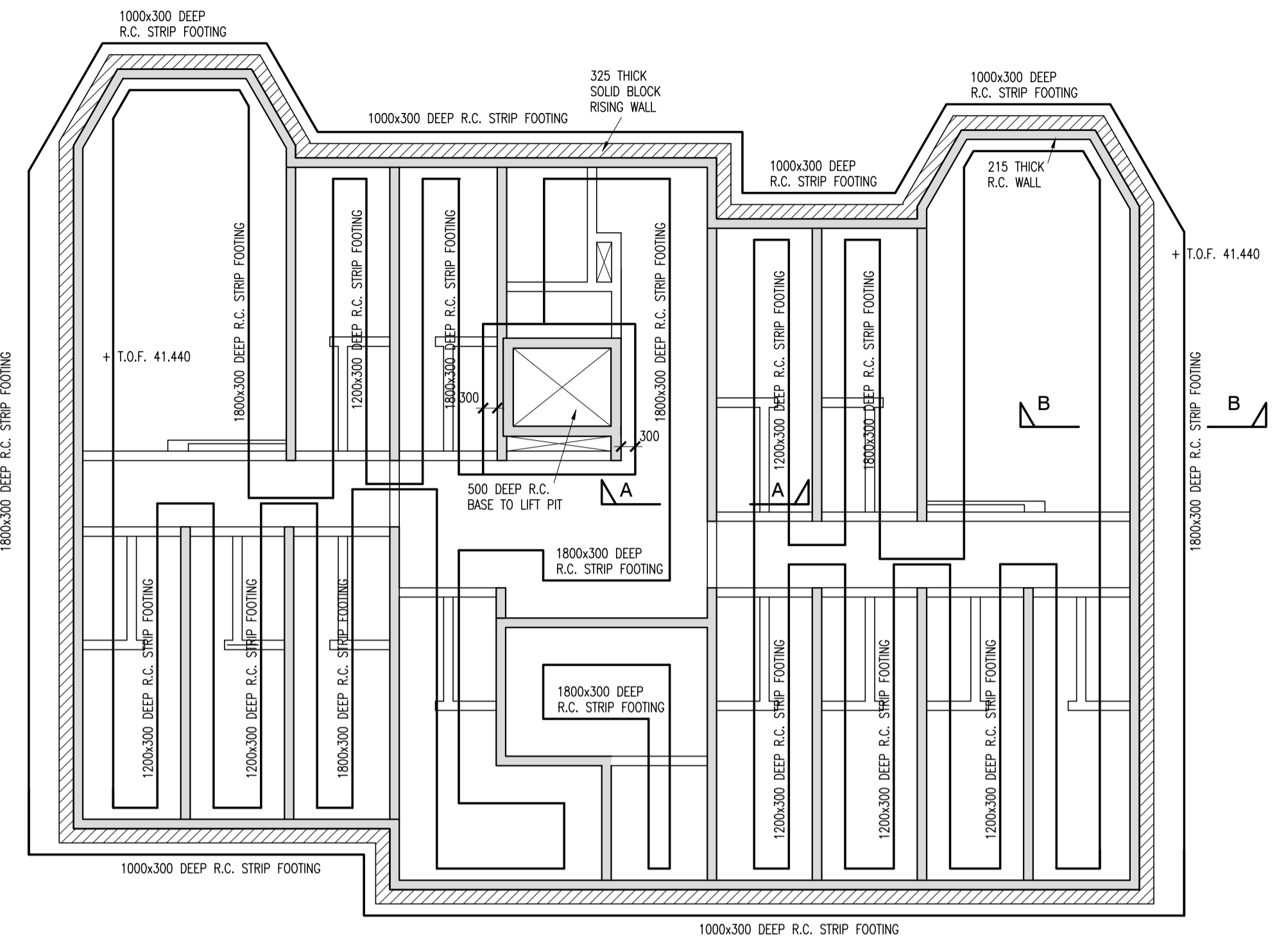


NOTES:



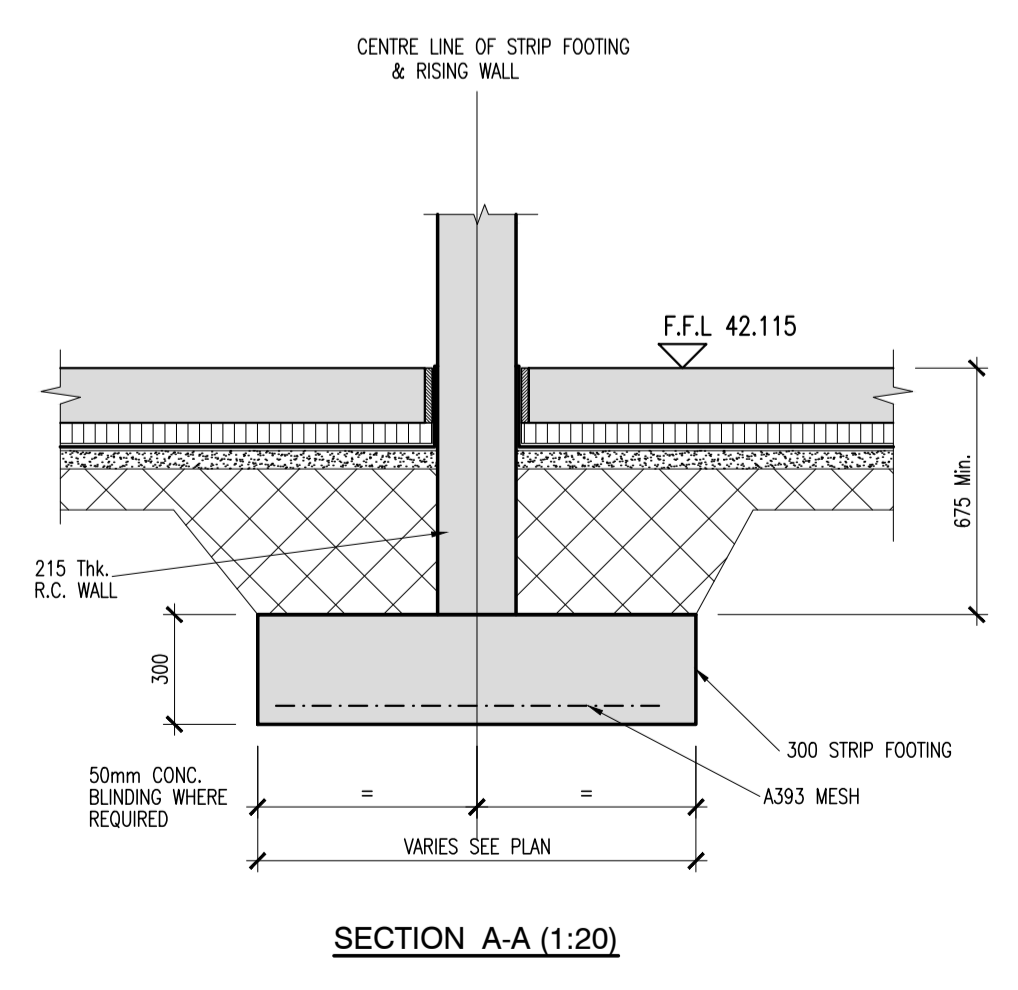
FOUNDATION PLAN (1:100)

GENERAL NOTES:

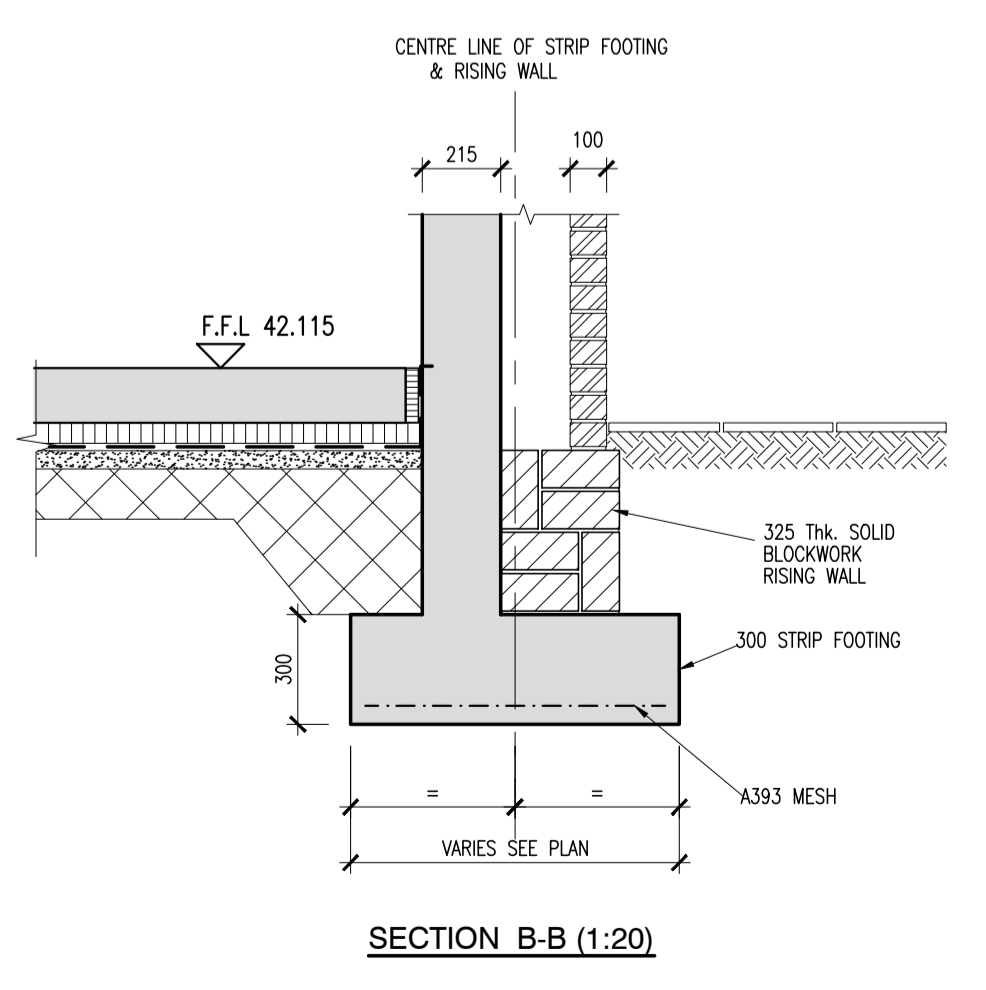
1. FOUNDATION SIZES ARE AS NOTED ON DRAWING. FOUNDATIONS TO BE SET OUT CENTRALLY TO WALLS/COLUMNS TO WHICH THEY SUPPORT UNLESS NOTED OTHERWISE.
2. ALL CONCRETE TO BE GRADE C30/37 IN ACCORDANCE WITH IS EN206-1 UNLESS NOTED OTHERWISE.
3. ALL MESH REINFORCEMENT TO HAVE A MINIMUM 450mm LAPS UNLESS NOTED OTHERWISE.
4. COVER TO REINFORCEMENT IN FOUNDATIONS TO BE 50mm UNLESS NOTED OTHERWISE.
5. ALL EXCAVATIONS FOR FOUNDATIONS TO BE INSPECTED BY DBFL PRIOR TO POURING OF CONCRETE.
6. ALL WATERPROOFING, TANKING, DPC TRAYS AND D.P.M.s TO ARCHITECTS DETAILS.
7. RADON PROTECTION IN ACCORDANCE WITH ARCHITECTS DETAILS.

FOUNDATIONS:

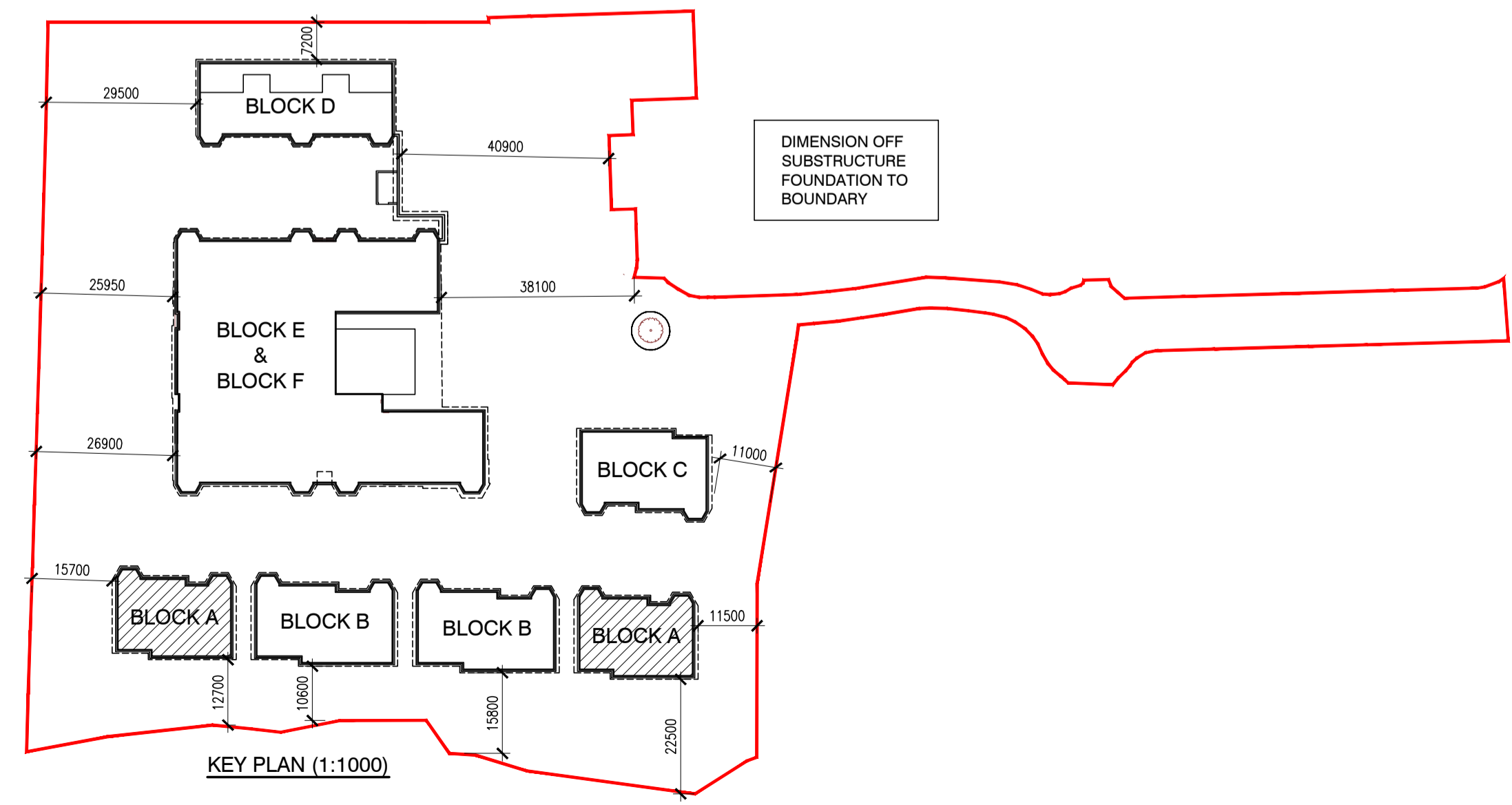
ALL FOUNDATION SIZES ARE INDICATIVE AND SUBJECT TO FURTHER SITE INVESTIGATION WORKS CARRIED OUT ON SITE. T.O.F. INDICATES TOP OF FOUNDATION LEVEL. FINAL LEVEL SUBJECT TO CONFIRMATION ON SITE. FOR SETTING OUT OF ALL WALLS REFER TO ARCHITECTS DRAWINGS.



SECTION A-A (1:20)



SECTION B-B (1:20)



KEY PLAN (1:1000)

PO2	08-02-21	ISSUED FOR PLANNING	TTR	JDH
P01	28.01.21	ISSUED FOR INFORMATION	TTR	JDH
rev	date	description	by	chkd.
		A - Approved		
client approval		B - Approved with comments		
		C - Do not use		

S2 - INFORMATION SHD STAGE 3 PLANNING



DBFL Consulting Engineers
Civil, Structural & Transportation Engineering
www.dbfl.ie

DUBLIN OFFICE: Ormond House, Upper Ormond Quay, Dublin 7, D07 WY34
PHONE: +353 1 406 4000

CORK OFFICE: Phoenix House, Monahan Road, Cork, T12 H1XX
PHONE: +353 021 268450

WATERFORD OFFICE: Suite 10 The Atrium, Martineau Gate, Canada Street, Waterford, X91 WQ28
PHONE: +353 01 309 550

project ref.

THE GROVE SHD - STUDENT ACCOMMODATION SCHEME

drawing title
BLOCK A FOUNDATION PLAN

client
STEPHEN MARSHALL (URBANISM) LTD.

designed by JDH author TTR scale 1:200 sheet size A1

drawing no. 200012-DBFL-A1-F1-DR-8000 revision P02